

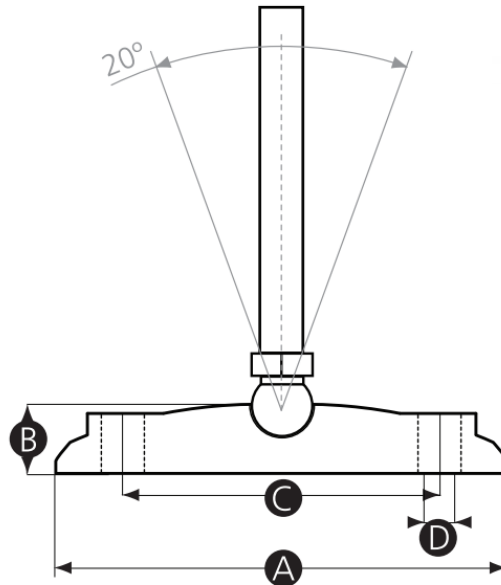
G01BDLF Bolt-Down Nylon Levelling Glide

Features

- Glass reinforced nylon base with bolt down holes and zinc plated steel rod
- Suitable for applications where a secure fitting on a flat surface is required
- Many more base and rod size combinations available on request
- Extra grip and anti-vibration available with **G01ASP Rubber Anti Slip Plate** sold separately

Material

- Base: Glass reinforced nylon, black.
Other colours available on request (MOQs apply)
- Rod: Zinc plated steel as standard.
Stainless steel available on request (MOQs apply)



Part No.	A	B	C	D	Thread Size	Thread Length	Max Load
G01BDLF-12771P	60	29	40	6	M10	70	470 kg
G01BDLF-12772W						125	
G01BDLF-12770T					M8	80	350 kg
G01BDLF-12419P	80	29	54	9	M12	100	750 kg
G01BDLF-12420W						150	
G01BDLF-12773S					M16	100	900 kg
G01BDLF-12421S						150	
G01BDLF-12775V	100	29	74	9	M16	100	900 kg